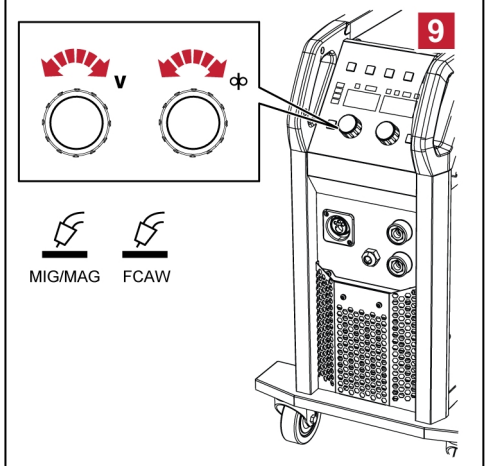
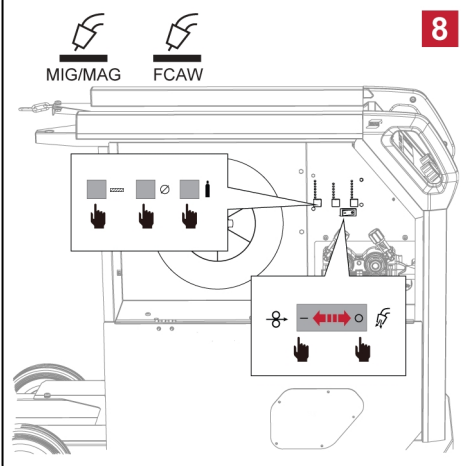
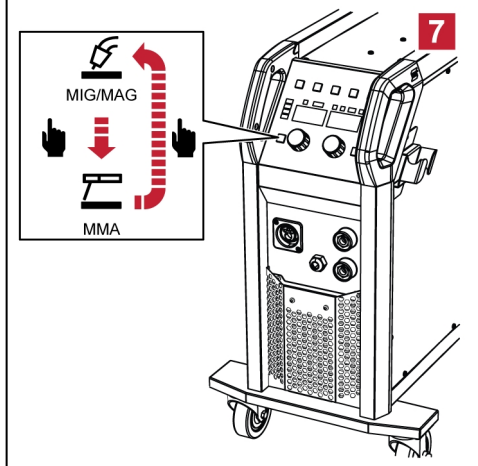
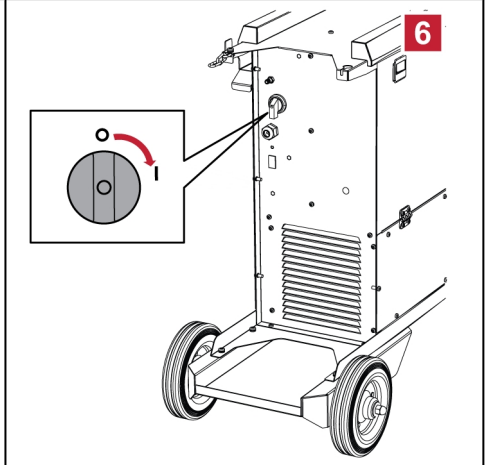
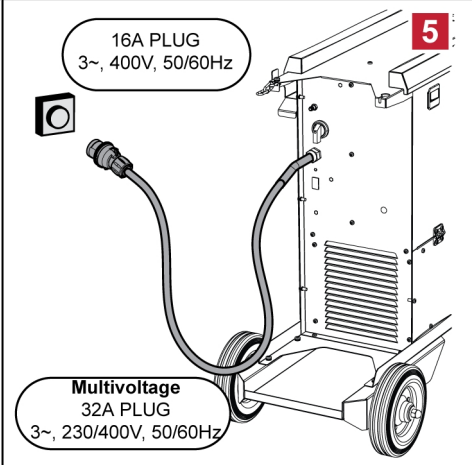
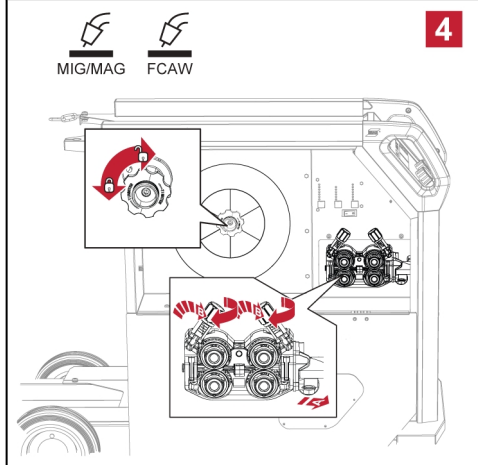
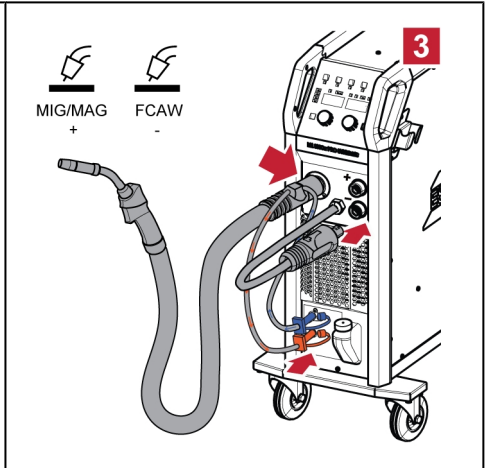
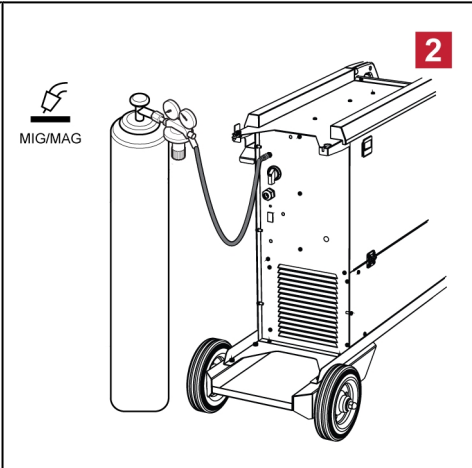
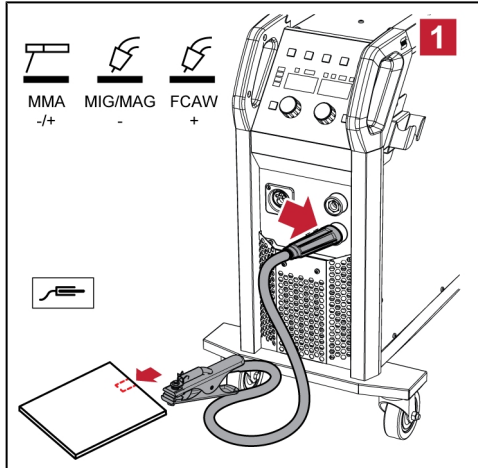
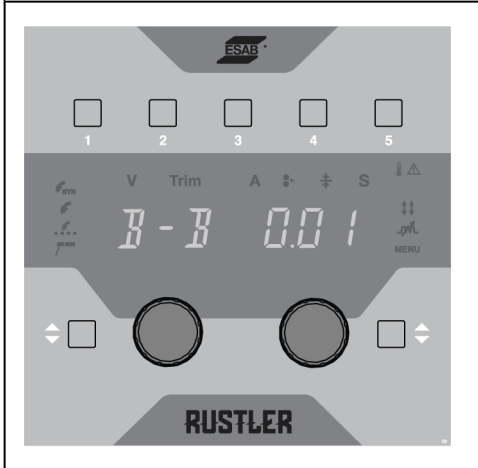
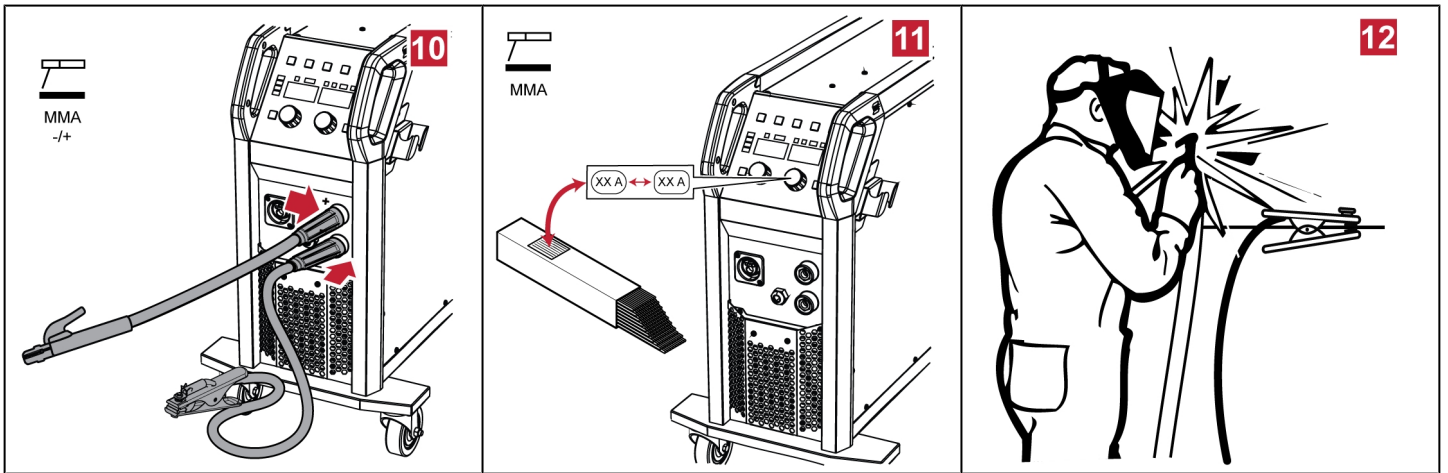


Rustler EM PRO



Quick Start Guide

0463 929 001 GB 20240909

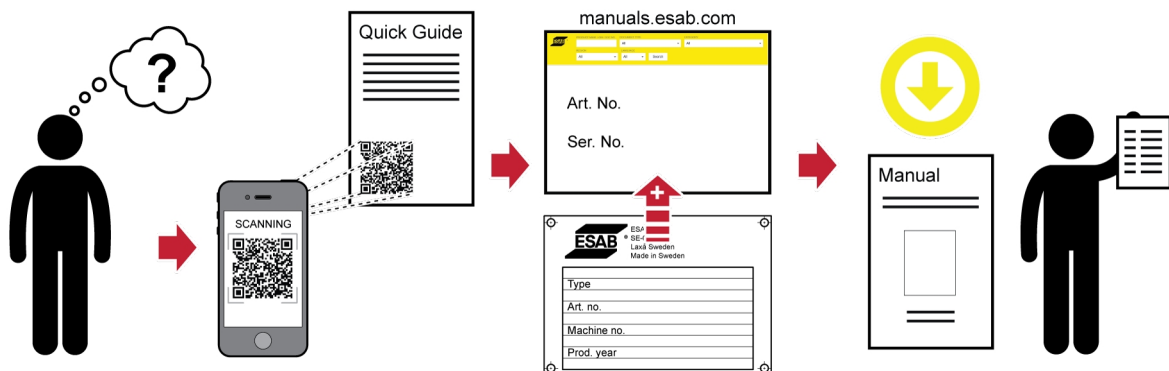


MIG/MAG and MIG/MAG SYN		
B-B	Burnback	0.01-0.35
CRA	Crater fill time	0.0-9.9
PRG	Pre-flow	0.5-9.9
POG	Post-flow	0.5-9.9
RIN	Creep star	ON/OFF

MIG SPOT		
B-B	Burnback	0.01-0.35
S/T	Spot time	0.1-5.0
DWE	Rest time	OFF/0.1-5.0
POG	Post-flow	0.5-9.9

MMA		
HOT	Hot start	0-10
ARC	Arc force	0-10


WE CARE ABOUT THE ENVIRONMENT
FIND YOUR MANUAL ONLINE
manuals.esab.com

For contact information visit esab.com

ESAB AB, Lindholmsallén 9, Box 8004, 402 77 Gothenburg, Sweden, Phone +46 (0) 31 50 90 00

manuals.esab.com

